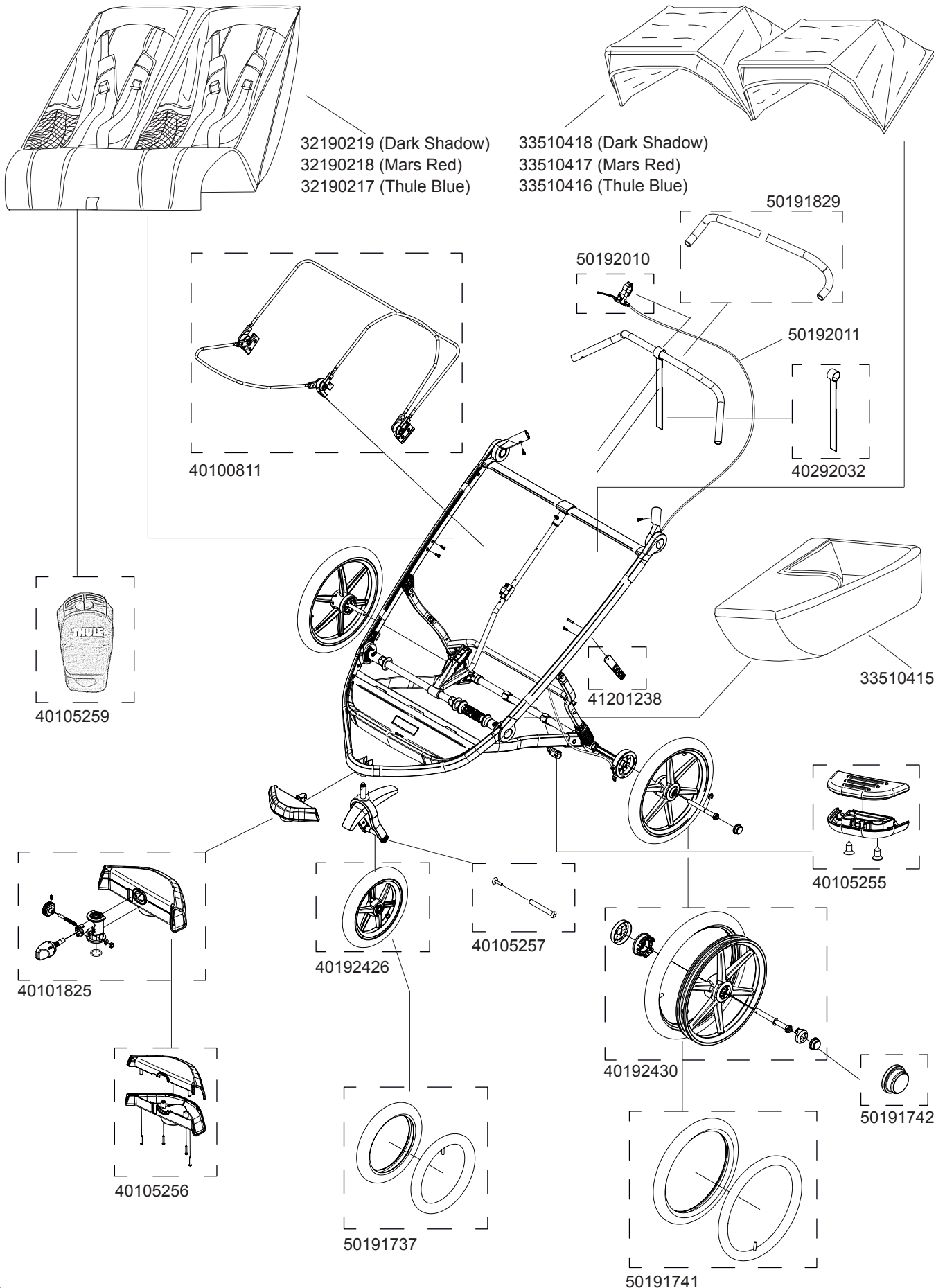


# Thule Urban Glide 2

10101903, 10101906, 10101907

**THULE**  
SWEDEN



» PART OF THULE GROUP

01/07/2015

**THULE**  
SWEDEN

Rev 1

TCTS